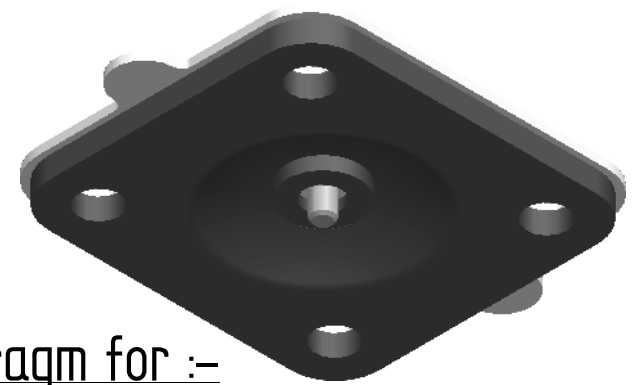
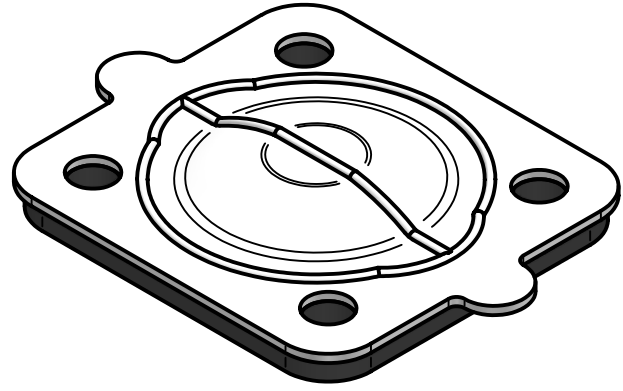



REVISION HISTORY			
REV	DESCRIPTION	DATE	APPROVED



Replacement Diaphragm for :-
 OEM PART = 42177 or 48072
 USED ON 3/4" (DN20) Diaphragm Valve

	NAME	DATE	 DIAPHRAGM DIRECT
DRAWN	M. MC KEON	08/21/14	
CHECKED			
Material - EPDM BACKING TFM - DIAPHRAGM			TITLE
Complies with CFR 177.2600 and Conforms to USP Class VI Biological Reactivity Tests Section #87 and #88			DD07-ITFM
SIZE	FOOT PRINT DIMENSIONS		REV
A			B
FILE NAME: DD07-ITFM.dft			
SCALE: 1 : 1	ECO:0605	SHEET 1 OF 1	

Disclaimer - Diaphragm Direct® does not manufacture, represent, nor sell OEM valves or diaphragms manufactured by any other company. Diaphragm Direct® brand diaphragms are not sponsored by any other manufacturers. Any name, model, part number, brand, image, material or referral is for descriptive purposes only. Diaphragm Direct® brand replacement diaphragms are guaranteed to fit OEM equipment and meet or exceed OEM specifications. Diaphragm Direct® brand replacement diaphragms are covered by the standard Diaphragm Direct® limited product warranty.